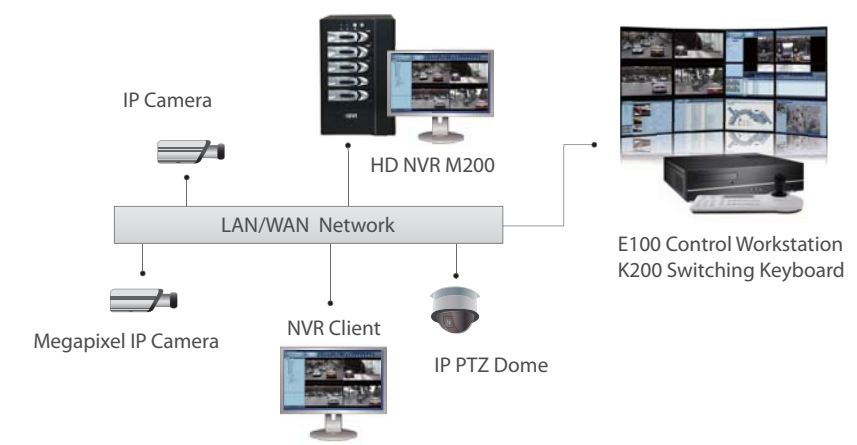


# M200 Series Network Video Recorder



## System Diagram



GVD M200 is a full-featured and affordable mini NVR that takes IP surveillance to a whole new level. Equipped with an embedded system, it provides complete and intuitive functionality with reliability and stability not offered by other NVR products. It is the best solution for small to mid-sized installations with extra video storage requirements, including retails, branch offices and other multisite applications.

- 1 Industrial mini server chassis
- 2 Optional High Performance Raid Support
- 3 Up to five HDDs for extensive storage in small to medium installation

### Key Feature

- Pre-built 16 , 24 or 32 channel licenses with 5 hard disk trays for flexible video recording
- Optional High Performance Raid Support for high data availability
- Supports large data throughput for multiple megapixel cameras triplex video functions
- Easy video export function with DVD, USB or network disk drives
- Equips with the reliable and robust DOM-based virus resistant Windows embedded platform
- Operates with GVD HD NVR Client to meet the needs of simple remote monitoring

### Storage Capability

Model	Channel	Compression	Resolution	FPS	7	10	15	30
M200	16	MPEG4	D1	Day	62	47	33	18
	16	H.264	1.3M		24	18	13	7
	16	H.264	2.0M		19	14	10	
	16	H.264	3.0M		12	9	6	
M200	24	MPEG4	D1		50	37	26	14
	24	H.264	1.3M		16	12	8	4
	24	H.264	2.0M		12	9	7	

Each HDD is 1.5 TB

### Camera Support List



www.gvdigital.com



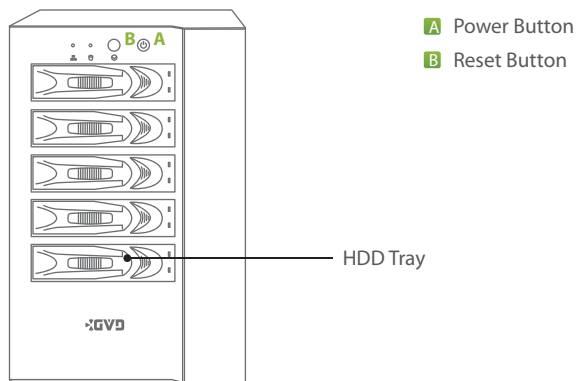
### Vertical Market

Retails, offices building and other multisite applications.

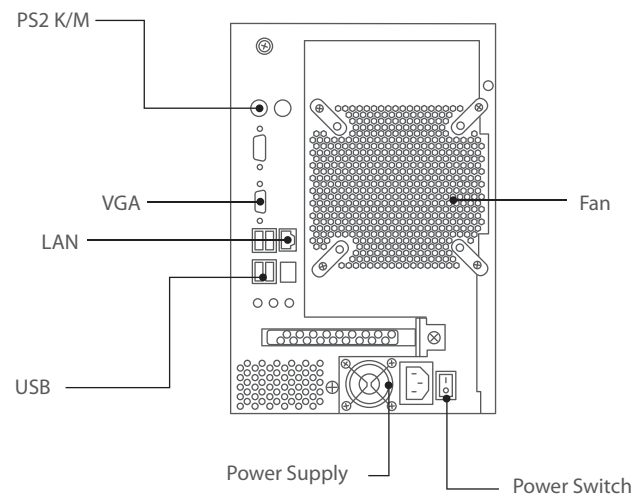
# HD NVR Standalone

Desktop NVR with extended storage

### Front Panel Layout



### Rear Panel Layout



### Hardware Specification

Model No	M200
Processor	Intel Core2 Duo E7500
Memory	DDR2-800 4G
Operation System	Windows XP Embedded OS
Hard Disk Drive (Hot Swappable)	5 (4 for RAID optional)
RAID Level	RAID 0,1,5 (Optional)
IP Camera License	32, 24, 16
Megapixel Recording	D1, 1.3M~10M
Display Port	1
Display Mode	Up to 64 camera layout
LAN Port	Gigabit x 2
USB Port	Rear x 4
Dimensions (DxWxH) mm	330 x 177 x 280
Power Consumption	250 W
Power Supply	400W, Single
Voltage	100~240VAC(50~60Hz)
Remote Access	E100 / E200 / HD NVR Client / Web Client / PDA Client

\*All specifications are subject to change without notice

### M200 Series



Genius Vision Digital